



D.O.T. ROADWAY CATALOG





Consistent with LEED® goals
& Green Globes™ criteria
for light pollution reduction

NEMA Head Package *Series 11 PKG*

Security Lighting
50-250W HPS, 100-150W MH

PRODUCT OVERVIEW



Features:

- Die-cast aluminum head meets NEMA dimension standards
- For quick easy installation of mast arm, a cast-in external slipfitter is used for a secure mounting
- Available in a variety of IES light distributions patterns including full cutoff
- Tools are not required to install reflector and refractor
- Includes 24", 1-1/4" diameter mast arm with welded brackets, lamp, photocontrol, 5' of supply wire, and hardware
- All electrical components warranted by American Electric Lighting's 6-year guarantee
- All components in single carton
- Open bottom acrylic, polycarbonate, or glass
- Suitable for -30°C MH / -40°C HPS
- Complies with ANSI: C136.2, C136.6, C136.10

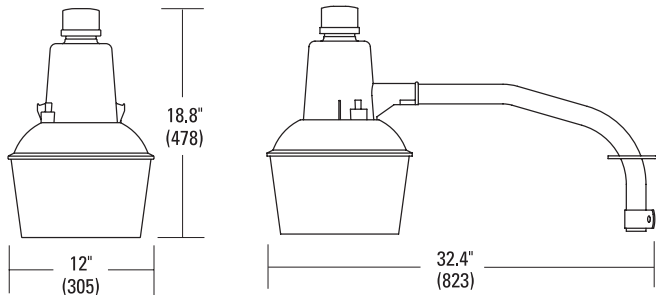
Applications:

- Security areas
- Storage yards
- Loading areas
- Receiving areas

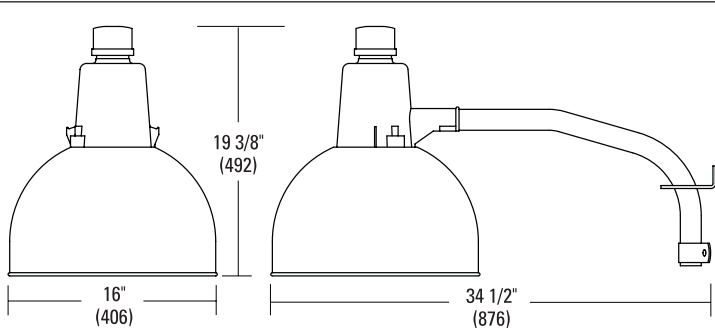
PREFERRED SELECTION CATALOG NUMBERS

- 11PKG 10S RN 120 R5 BA EC**
- 11PKG 15S RN 120 R5 BA EC**
- 11PKG 10M XN 120 R5 BA MDO**

DIMENSIONS



Vented Bottom Acrylic (VBA)



Note: Package includes welded bracket, 24" mast arm 1-1/4" diameter, lamp, photocontrol, 5' of supply wire and hardware.
Approx. Wt. = 18 lbs.



Full Cutoff (FC)

NEMA Head Package Series 11 PKG

Security Lighting

50-250W HPS, 100-150W MH

ORDERING INFORMATION

Example: 11 PKG 15 S RN 120 R5 BA EC

Series	Wattage / Source		Ballast	Voltage	Distribution	Optics
11PKG NEMA Head Package	05 50W	S HPS	RN Reactor/Normal Power Factor	120 120V	R2 Type II	BA Open Bottom Acrylic ¹
	07 70W	M MH	XN High Reactance/Lag Normal Power Factor	208 208V	R3 Type III	BP Open Bottom Polycarbonate ¹
	10 100W			240 240V	R5 Type V	FC Full Cutoff ^{1,2,3}
<i>Package includes 24" mast arm, lamp, photocontrol, supply wire and hardware</i>	15 150W			277 277V		BG Open Bottom Glass ¹
	25 250W			MT1 120V Multi-tap		VBA Vented Bottom Acrylic (required for mogul base MH only)
				MT8 208V Multi-tap		
				MT2 240V Multi-tap		
				MT7 277V Multi-tap		

Options

Photocontrol

(blank) Photocontrol included per voltage specified

Starter⁴

(blank) Open Board (standard)
EC Encapsulated Starter

Lamp

(blank) Lamp Included, Clear
LD Lamp Included, Deluxe/Coated

Misc.

NL NEMA Label
MDO Medium Base Socket, Open Rated (100W and 150W MH only)⁵

Notes:

- MH version requires open rated socket (MDO)
- Available in R5 distribution only
- Nighttime Friendly™ optic
- HPS only
- Open rated lamp supplied

Optic Distribution

	R2 BA	R2 BG	R2 BP	R3 BA	R3 BG	R3 BP	R5 BA	R5 BG	R5 BP	R5 FC	R5 VBA
05S	◆	◆	◆	◆	◆	◆	◆	◆	◆	◆	◆
07S	◆	◆	◆	◆	◆	◆	◆	◆	◆	◆	◆
10S	◆	◆	◆	◆	◆	◆	◆	◆	◆	◆	◆
10M	◆ ¹	◆ ¹	-	◆ ¹	◆ ¹	-	◆ ¹	◆ ¹	-	◆ ¹	◆
15S	◆	◆	◆	◆	◆	◆	◆	◆	◆	◆	◆
15M	◆ ¹	◆ ¹	-	◆ ¹	◆ ¹	-	◆ ¹	◆ ¹	-	◆ ¹	◆
20S	◆	◆	◆	◆	◆	◆	◆	◆	◆	◆	◆
25S	◆	◆	◆	◆	◆	◆	◆	◆	◆	◆	◆

Note:

- Must order MDO option and use open-rated lamp

NEMA Head Package Series 11 PKG

Security Lighting
50-250W HPS, 100-150W MH

BALLAST MATRIX

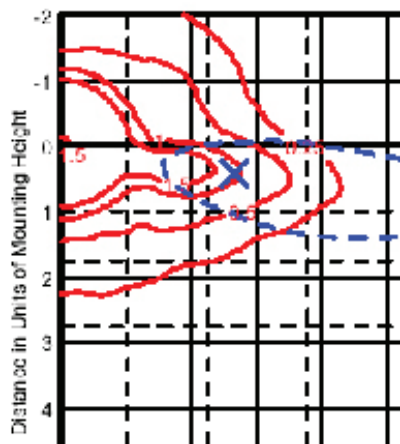
Nema Head Package Series 11PKG

Watts	120	208	240	277	MT1	MT2	MT7
05S	RN, XN	XN	XN	XN	XN	XN	XN
07S	RN	XN	XN	XN	XN	XN	XN
10S	RN	XN	XN	XN	XN	XN	XN
10M	XN	-	-	-	-	-	-
15S	RN	XN	XN	XN	XN	XN	XN
15M	XN	XN	XN	XN	XN	XN	XN
20S	XN	-	RN	-	-	-	-
25S	XN	-	RN	-	-	-	-

PHOTOMETRICS

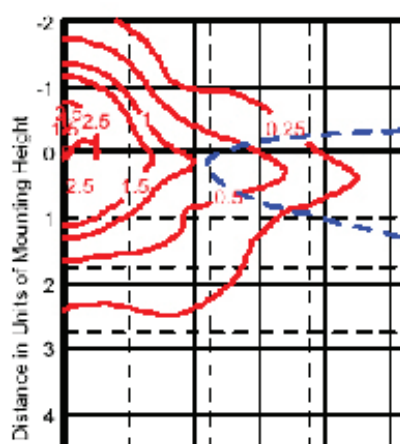
11PKG 15S R2 BA

ISOILLUMINANCE PLOT (f)
Mounting Height = 20 ft.
Classification: Type II, Medium, Noncut



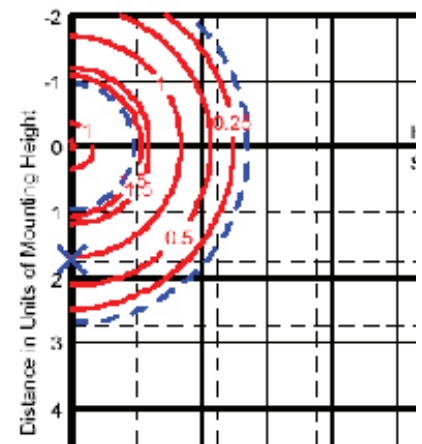
11PKG 20S R2 BP

ISOILLUMINANCE PLOT (f)
Mounting Height = 20 ft.
Classification: Type II, Long, Noncutoff



11PKG 10S R5 FC

ISOILLUMINANCE PLOT (f)
Mounting Height = 20 ft.
Classification: Type V, Full Cutoff



× Maximum Intensity
- - - 1/2 Maximum Intensity

Series 11L Package

Security Lighting

50-150W HPS

PRODUCT OVERVIEW



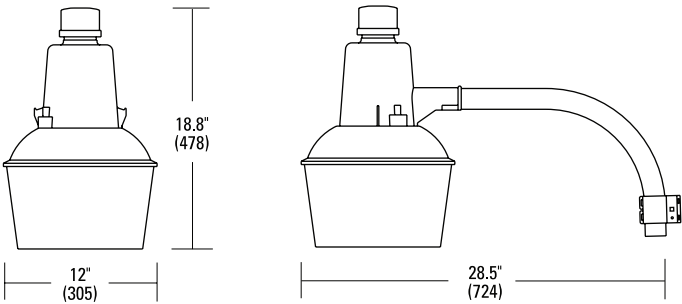
Features:

- Die-cast aluminum head meets NEMA dimension standards
- For quick easy installation of mast arm, a cast-in external slipfitter is used for a secure mounting
- Includes 18" mast arm, lamp, photocontrol, pre-wire, and hardware
- All components in single carton
- Open bottom acrylic
- Suitable for -30°C MH / -40°C HPS
- Complies with ANSI: C136.2, C136.6, C136.10
- UL Listed for wet locations

Applications:

- Rural areas
- Area lighting
- Small businesses

DIMENSIONS



Note: Package includes 18" mast arm, lamp, photocontrol, pre-wire, and hardware.
Approx. Wt. = 18 lbs.

PREFERRED SELECTION CATALOG NUMBERS

- 11L 10S RN 120 R5 BA
- 11L 15S RN 120 R5 BA

Series 11L Package

Security Lighting

50-150W HPS

ORDERING INFORMATION

Example: 11L 15S XN 120 R5 BA

Series	Wattage / Source		Ballast	Voltage	Distribution	Optics
11L Security Package	05 50W 07 70W 10 100W 15 150W	S HPS	RN Reactor Normal Power Factor XN High Reactance / Lag Normal Power Factor	120 120V 208 208V 240 240V 277 277V MT1 120V Multi-tap MT2 240V Multi-tap MT7 277V Multi-tap	R5 Type V	BA Open Bottom Acrylic

Package includes 18" mast arm, lamp, photo-control, pre-wire and hardware

Options

Photocontrol

(blank) Photocontrol included per voltage specified

Notes:

1 Available in 1-1/4" aluminum pipe only

Mast Arm

WA Welded Arm (24" mast arm) ¹

Listing

(blank) UL Listed (standard)
CS CSA Certified

BALLAST MATRIX

Nema Head 11L

Watts	120	208	240	277	MT1	MT2	MT7
05S	RN, XN	XN	XN	XN	XN	XN	XN
07S	RN	XN	XN	XN	XN	XN	XN
10S	RN	XN	XN	XN	XN	XN	XN
15S	RN	XN	XN	XN	XN	XN	XN



Athens, AL - 256-278-4980

Birmingham, AL - 205-304-0600

Atlanta, GA - 678-359-4680