



MUNICIPAL PRODUCT CATALOG



PRODUCT OVERVIEW



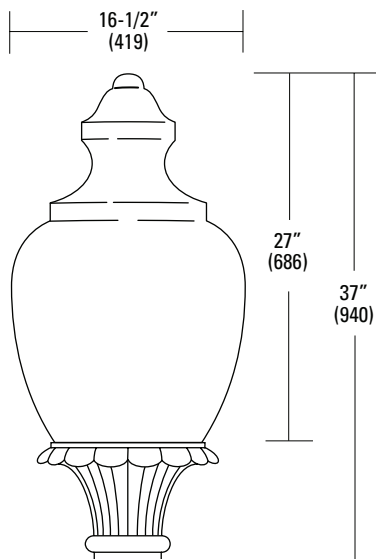
Features:

- Architecturally complimentary design
- Powdercoated paint finish
- Interchangeable base with a wide variety of globes; standard neck size 9" OD
- Terminal block for ease of wiring
- A variety of wattages and ballast types
- Available in HPS and MH
- Easy access to electrical components
- Available in a variety of IES distributions
- E39 mogul base socket standard
- All electrical components warranted by American Electric Lighting's 6-year guarantee
- Complies with ANSI: C136.2, C136.10, C136.15, C136.31
- Suitable for -30°C MH / -40°C HPS

Applications:

- Office buildings
- Shopping centers
- Malls
- Apartment/condominium complexes
- Commercial developments

DIMENSIONS



Effective Projected Area (EPA)

The EPA for the Bainbridge Series 870 is 3.7 sq. ft.
Approx. Wt. = 28 lbs.

Bainbridge

Series 870

50-150W HPS, 100-175W MH

ORDERING INFORMATION

Example: 870 10S CA MT1 R3 AY LC

Series	Wattage / Source	Ballast	Voltage	Distribution
870 Bainbridge	05 50W S HPS 07 70W M MH ² 10 100W 15 150W 17 175W Ⓜ See ballast matrix for EISA compliant options	CA CWA ² RH Reactor High Power Factor RN Reactor Normal Power Factor XH High Reactance / Lag High Power Factor XN High Reactance / Lag Normal Power Factor SC SCWA	120 120V 208 208V 240 240V 277 277V 480 480V DT2 Dual Tap 120/240 Wired 240 MT1 Multi-tap Wired 120V MT2 Multi-tap Wired 240V MT7 Multi-tap Wired 277V	R3 Type III ³ R5 Type V ³ R0 No Internal Refractor <div style="border: 1px solid black; padding: 5px; width: fit-content; margin-left: auto; margin-right: auto;"> Optics AY Acrylic PY Polycarbonate WC White Polycarbonate </div>

Options

<u>Paint</u>	(blank) None
(blank) Black (standard)	BC Button-photocontrol
BZ Bronze	
DDB Dark Bronze	<u>Misc.</u>
	SS Stainless Steel Hardware
<u>Terminal Block</u>	NL NEMA Label
T2 Wired to L1 & L2 Positions	
T3 3 Wire Operation (L1, N, L2 Position) ²⁴	
<u>Lamp</u>	
LC Lamp Included, Clear	
LD Lamp Included, Deluxe/Coated	

Photocontrol

Notes:

- 1 When ordered with metal halide, these wattages do not comply with California Title 20 regulations.
- 2 CA ballast not available with 175W - 400W metal halide in the U.S.; must use SC
- 3 Achieved with internal glass refractor
- 4 T3 option only available with 240, 480, DT2, DT4, MT2

BALLAST MATRIX

Bainbridge Series 870

Watts	120	208	240	277	480	DT2	MT1	MT2	MT7
05S	RN	-	-	-	-	-	-	-	-
07S	RN, RH, CA, CT	XN, XH, CA, CT	XN, XH, CA, CT	XN, XH, CA	CA	XN, XH, CA, CT	CA, CT	CA, CT	CA, CT
10S	RN, RH, CA, CT	XN, XH, CA, CT	XN, XH, CA, CT	XN, XH, CA, CT	CA	N, XH, CA, CT	CA, CT	CA, CT	CA, CT
10M	XN, XH, CA	XN, XH, CA	XN, XH, CA	XN, XH, CA	XN, XH, CA	XN, XH, CA	XN, XH, CA	XN, XH, CA	XN, XH, CA
15S	RN, RH, CA, CT	XN, XH, CA, CT	XN, XH, CA, CT	XN, XH, CA, CT	CA	XN, XH, CA, CT	CA, CT	CA, CT	CA, CT
15M	XN, XH, CA	XN, XH, CA	XN, XH, CA	XN, XH, CA	XN, XH, CA	XN, XH, CA	XN, XH, CA	XN, XH, CA	XN, XH, CA
17M	SC	SC	SC	SC	SC	-	-	SC	SC

PRODUCT OVERVIEW



Features:

Interchangeable base with a wide variety of globes; standard neck size is 8" OD

Symmetric or Asymmetric distribution

Prismatic glass globe

Base and optical ship separately

HPS units standard with encapsulated starter that is located at the socket for quick access

Quick disconnect plug for easy maintenance

Easy access component door

Photocontrol and terminal block available and located with easy access from component door

E39 mogul base socket standard

Mounts to 3" x 3" pole top tenons

Powdercoat finish

All electrical components warranted by American Electric Lighting's 6-year guarantee

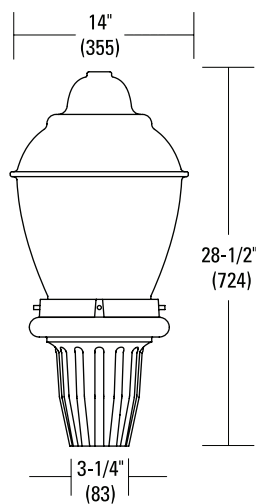
Complies with ANSI: C136.2, C136.10, C136.15, C136.31

Suitable for -30°C MH / -40°C HPS

Applications:

Streetscapes
Walkways
Pathways
Parks

DIMENSIONS



Effective Projected Area (EPA)

The EPA for the Cresthill Glass is 1.4 sq. ft.
Approx. Wt. = 37lbs.

Cresthill Glass

Series LCR

50-250W HPS, 50-250W MH

ORDERING INFORMATION

Example: LCR 10S RN 120 R5 PG PR LC PC

Series		Wattage / Source		Ballast		Voltage		Distribution			
LCR	Cresthill	05	50W	S	HPS	RN	Reactor Normal Power Factor	120	120V	R3	Type III
		07	70W	M	MH ³	RH	Reactor High Power Factor	208	208V	R5	Type V
		10	100W			XN	High Reactance/Lag NPF	240	240V		
		15	150W			XH	High Reactance/Lag HPF	277	277V		
		17	175W ¹			CA	CWA Auto-Reg ³	347	347V		
		25	250W ^{1,2}			CT	CWI	480	480V		
						SC	SCWA	MT1	Multi-tap Wired 120V		
								MT2	Multi-tap Wired 240V		
								MT7	Multi-tap Wired 277V		
								TT3	Tri-tap Wired 347		
								DT2	Dual Tap 120/240 Wired 240		

Ⓔ See ballast matrix for EISA compliant options

Options	
---------	--

<u>Globe</u>	<u>Lamp</u>
PG Prismatic Glass	LC Lamp Included, Clear
	LD Lamp Included, Deluxe/Coated
<u>Paint</u>	<u>Misc</u>
(blank) Black	PC Locking Type Photocontrol ⁵
VG Verde Green	SH Shorting Cap ⁵
BZ Bronze	SS Stainless Steel Fasteners (external)
DDB Dark Bronze	F5 Finial
<u>Terminal Block</u>	
(blank) Terminal Block (std)	
T2 Wired to L1 & L2 Positions	
T3 3 Wire Operations (L1, N, L2 Position) ⁴	
<u>Receptacle</u>	
(blank) No Photocontrol Receptacle (std)	
PR Photocontrol Receptacle	

Notes:

- 1 When ordered with metal halide, these wattages do not comply with California Title 20 regulations.
- 2 250 W adds 3" to housing height
- 3 CA ballast not available with 175W - 400W metal halide in the U.S.; must use SC
- 4 T3 option only available with 240, 480, DT2, DT4, MT2
- 5 Requires PR options

BALLAST MATRIX

Cresthill Series LCR

Wattage	120	208	240	277	347	480	DT2	MT1
05S	RN,RH	-	-	-	-	-	-	-
07S	RN, RH, CA, CT	XN, XH, CA, CT	XN, XH, CA, CT	XN, XH, CA, CT	XN, XH	XN, XH	XN, XH, CA, CT	XN, XH, CA, CT
07M	XN, XH	XN, XH	XN, XH	XN, XH	XN, XH	-	XN, XH	XN, XH
10S	RN, RH, CA, CT	XN, XH, CA, CT	XN, XH, CA, CT	XN, XH, CA, CT	XN, XH, CT	XN, XH, CA	XN, XH, CA, CT	XN, XH, CA, CT
10M	XN, XH, CA	XN, XH	XN, XH	XN, XH, CA	XN, XH	-	XN, XH	XN, XH
15S	RN, RH, CA, CT	XN, XH, CA, CT	XN, XH, CA, CT	XN, XH, CA, CT	-	XN, XH, CA	-	XN, XH, CA, CT
15M	XN, XH	XN, XH	XN, XH	XN, XH	XN, XH	-	XN, XH	XN, XH
17M	SC	SC	SC	SC	SC	SC	SC	SC
25S	XN, XH, CA	CA	XN, XH, CA	CA	CA	CA	XN, XH, CA	CA
25M	SC	SC	SC	SC	SC	SC	SC	SC

Cresthill Series LCR - continued

Wattage	MT2	MT7	TT3
05S	-	-	-
07S	XN, XH, CA, CT	XN, XH, CA, CT	XN, XH, CT
07M	XN, XH	XN, XH	XN, XH
10S	XN, XH, CA, CT	XN, XH, CA, CT	XN, XH, CT
10M	XN, XH	XN, XH	XN, XH
15S	XN, XH, CA, CT	XN, XH, CA, CT	-
15M	XN, XH	XN, XH	XN, XH
17M	SC	SC	SC
25S	CA	CA	CA, CT
25M	SC	SC	SC

PRODUCT OVERVIEW



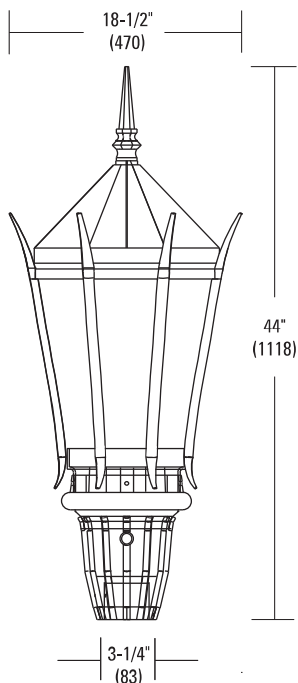
Features:

- Available with or without spikes
- Interchangeable base with a wide variety of lenses
- Symmetric or Asymmetric distribution
- Decorative spike finial standard
- Rugged cast-aluminum housing
- Lens available in acrylic, polycarbonate or clear glass
- Base and optical ship separately
- HPS units standard with encapsulated starter that is located at the socket for quick access
- Quick disconnect plug for easy maintenance
- Easy access component door
- Photocontrol and terminal block available and located with easy access from component door
- E39 mogul base socket standard
- Mounts to 3" x 3" pole top tenons
- All electrical components warranted by American Electric Lighting's 6-year guarantee
- Complies with ANSI: C136.2, C136.10, C136.15, C136.31
- Suitable for -30°C MH / -40°C HPS

Applications:

- Streetscapes
- Walkways
- Pathways
- Parks

DIMENSIONS



Effective Projected Area (EPA)
The EPA for the Lexington is 3.1 sq. ft.
Approx. Wt. = 33 lbs.

Lexington

Series LLX

50-150W HPS, 100-175W MH

ORDERING INFORMATION

Example: LLX 10S RN 120 R5 AY PR LC PC

Series	Wattage / Source	Ballast	Voltage	Distribution
LLX Lexington	05 50W 07 70W 10 100W 15 150W 17 175W	RN Reactor Normal Power Factor RH Reactor High Power Factor XN High Reactance/Lag NPF XH High Reactance/Lag HPF CA CWA Auto-Reg ⁴ CT CWI SC SCWA	120 120V 208 208V 240 240V 277 277V 347 347V 480 480V MT1 Multi-tap Wired 120V MT2 Multi-tap Wired 240V MT7 Multi-tap Wired 277V DT2 Dual Tap 120/240 Wired 240	R0 No Internal Refractor R3 Type III ¹ R5 Type V ¹

Ⓔ See ballast matrix for EISA compliant options

Options

<p>Globe</p> <p>AY Acrylic PY Polycarbonate GL Glass</p> <p>Paint</p> <p>(blank) Black VG Verde Green BZ Bronze DDB Dark Bronze</p> <p>Terminal Block</p> <p>(blank) Terminal Block (std) T2 Wired to L1 & L2 Positions T3 3 Wire Operations (L1, N, L2 Position) ²</p>	<p>Receptacle</p> <p>(blank) No Photocontrol Receptacle (std) PR Photocontrol Receptacle</p> <p>Lamp</p> <p>LC Lamp Included, Clear LD Lamp Included, Deluxe/Coated</p> <p>Misc</p> <p>PC Locking Type Photocontrol ³ SH Shorting Cap ³ SS Stainless Steel Fasteners (external) NS No Spikes on LLX Housing</p>	<p>Notes:</p> <p>1 Achieved with internal glass refractor 2 T3 option only available with 240, 480, DT2, DT4, MT2 3 For use with PR option 4 CA ballast not available with 175W - 400W metal halide in the U.S.; must use SC</p>
---	---	--

BALLAST MATRIX

Lexington LLX

Watts	120	208	240	277	347	480	DT2	MT1	MT2	MT7	TT3
05S	RH,RN	-	-	-	-	-	-	-	-	-	-
07S	RN, RH, CA, CT	XN, XH, CA, CT	XN, XH, CA, CT	XN, XH, CA, CT	XN, XH, CA, CT	XN, XH	XN, XH	XN, XH, CA, CT	XN, XH, CA, CT	XN, XH, CA, CT	XN, XH, CA, CT
07M	XN, XH	XN, XH	XN, XH	XN, XH	XN, XH	-	XN, XH	XN, XH	XN, XH	XN, XH	XN, XH
10S	RN, RH, CA, CT	XN, XH, CA, CT	XN, XH, CA, CT	XN, XH, CA	XN, XH, CA	XN, XH, CT	XN, XH, CA	XN, XH, CA, CT	XN, XH, CA, CT	XN, XH, CA, CT	XN, XH, CA, CT
10M	XN, XH, CA	XN, XH	XN, XH	XN, XH	XN, XH	-	XN, XH	XN, XH	XN, XH	XN, XH	XN, XH
15S	RH, RN, CA, CT	XN, XH, CA, CT	XN, XH, CA, CT	XN, XH, CA, CT	-	XN, XH, CA	-	XN, XH, CA, CT	XN, XH, CA, CT	XN, XH, CA, CT	-
15M	XN, XH	XN, XH	XN, XH	XN, XH	XN, XH	-	XN, XH	XN, XH	XN, XH	XN, XH	XN, XH
17M	SC	SC	SC	SC	SC	SC	SC	SC	SC	SC	SC

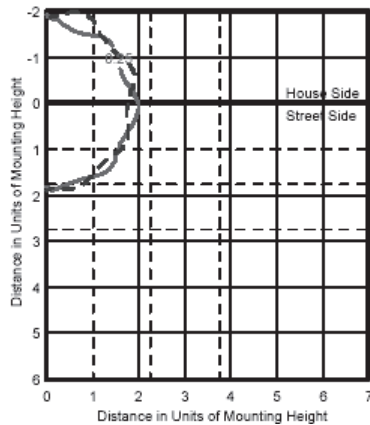
PHOTOMETRICS



LLX 15S R3 AY

ISOILLUMINANCE PLOT (FC)

Mounting Height = 20 ft.

Classification: Type V, Noncutoff



 Maximum Intensity
 1/2 Maximum Intensity



Athens, AL - 256-278-4980

Birmingham, AL - 205-304-0600

Atlanta, GA - 678-359-4680